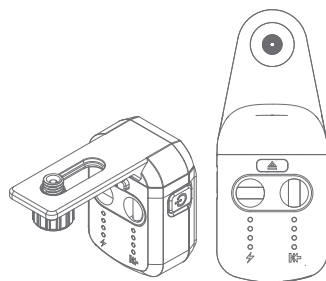


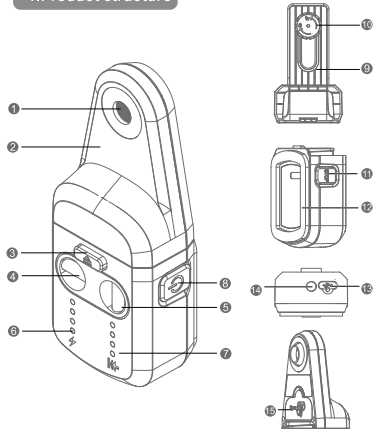
Electric Suction Vacuum Drilling Dust Collector



'L' Bracket & Dust Collector User Manual

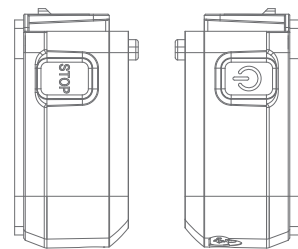
Thank you for purchasing and using this product

1.Product structure



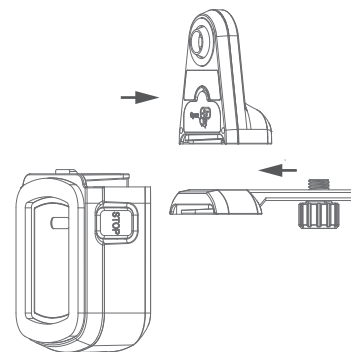
- 1 Drill hole
- 2 Semi-transparent dust collection window
- 3 Disassembly button
- 4 Horizontal bubble
- 5 Vertical bubble
- 6 Power monitoring
- 7 Air pressure monitoring
- 8 Air suction key Laser level switch
- 9 Bracket
- 10 fasten the screw nut
- 11 Vent key/Off key
- 12 Back sucker
- 13 Type-C charging port
- 14 Horizontal laser line
- 15 Dust pouring outlet

2.Key Description



- Short press to deflate Close the suction motor
- Long press to turn off At the same time it will turn off the laser level
- Short press to turn on Turn on the suction motor
- Long press to turn on/off the laser level

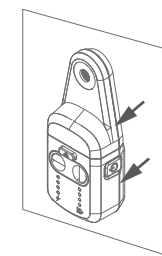
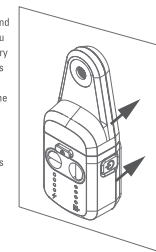
3.Switch between bracket and dust collector



- 1 The dust collector can use the dust collector and bracket functions separately
- 2 Press and hold the button to remove the installed dust collector or bracket
- 3 Align the dust collector or bracket to be installed with the slot and install it
- 4 After installation, the button will pop up again

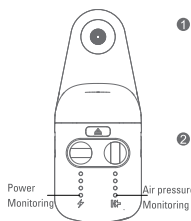
4.Instructions for use

- 1 Short press the button to turn on the suction switch. At this time, there will be a sound of 'beep, beep, beep', and at the same time, you can hear the buzzer of the motor, and the battery indicator on the left lights up. At this time, press the dust collector toward the surface to be adsorbed can be adsorbed successfully, and the load can reach 5KGS.
- 2 After the adsorption is successful, the air pressure monitoring indicator on the right lights up. If there is a sound of 'beep, beep, beep', it means that the air pressure is insufficient and needs to be re-adsorbed. It is normal adsorption work.



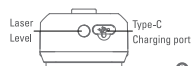
- 3 Short press the button to stop the adsorption. At this time, you should pay attention to holding the dust collector to prevent it from falling.

5.Real-time monitoring



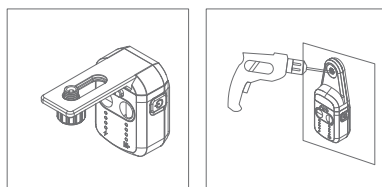
- 1 After the dust collector is turned on, the 4 indicator lights on the left side will light up. The more lights are on, the more the battery will be. When the battery is too low, there will be a sound of "beep, beep, beep". The dust collector should be disassembled and charged to prevent it from falling.
- 2 After the dust collector is successfully adsorbed, the 4 indicator lights in the right row will light up. The more lights are on, the stronger the adsorption. When the adsorption pressure is low, there will be a "beep, beep, beep" sound. At this time, the dust collector should be disassembled and re-adsorbed to prevent it from falling.

6.Charging port

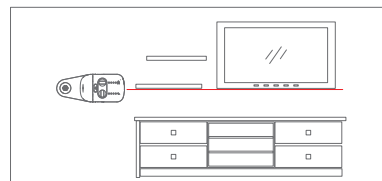


- 1 There is a Type-C charging port at the bottom of the dust collector. When charging, the battery monitoring indicator on the left flashes, and stops flashing when it is full. It can be used for 24 hours after a full charge.
- 2 There is a laser line meter at the bottom of the dust collector, and the effective line distance is more than 2 meters.

7.Application example



- 1 Air suction wall bracket, which can be loaded with laser level device, etc., and the loading weight is 5KGS.
- 2 The wall drilling construction is clean and dust-free to avoid dust flying.



- 3 With its own laser level and horizontal bubble, it can be used for advertising, furniture installation, decoration construction, line positioning, etc.

8.Product technical data

Item No.	Wall drilling dust collector
Bracket load	5KG
Laser wavelength	650nm
Laser power	<1mw
Laser color	Red
Laser level work distance	2m
Protection level	IP54
Work time	5h
Anti-fall height	1.2
Battery capacity	1800mAh
Charging voltage/current	3.7V 0.5A
Inspiratory flow	2LPM
Working noise	≤60db
Work pressure	-55Kpa
Operation temperature	-20-70 °C
Size	77*52*190MM
Weight	350g

9.Precautions

1. Do not point the laser beam at people or animals, and do not look directly at the laser beam. It will disturb the vision of others, cause accidents or hurt eyes.
2. If the laser beam enters your eyes, please close your eyes consciously and immediately turn your head out of the laser beam range.
3. Please do not make any changes to the laser device. Laser recognition glasses cannot be used as protective glasses. After wearing the laser recognition glasses, it can help you recognize the laser, but it cannot protect you from laser radiation.
4. Do not use laser recognition glasses as sunglasses. Laser recognition glasses do not have the function of protecting against ultraviolet rays and will weaken your ability to recognize colors.
5. This product can only be repaired by qualified professionals, and only original accessories can be used to ensure the safety performance of the product.
6. Do not allow children to use this product.
7. Do not operate this product in an explosive environment, such as an explosive liquid, gas or dust environment.