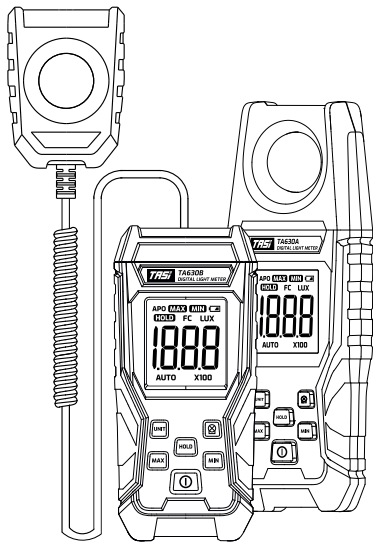


TA630A / B DIGITAL LIGHT METER Users Manual



Dear customer,
Thank you for choosing **TASI**.
If there are any technical questions, please
contact:
<http://www.china-tasi.com>

Introduction

TA630 series Light Meter is used to measure the brightness of visible light, and it can change the measuring range automatically; It is suitable for storage, factories, hospitals, schools and other occasions.

Safety Information

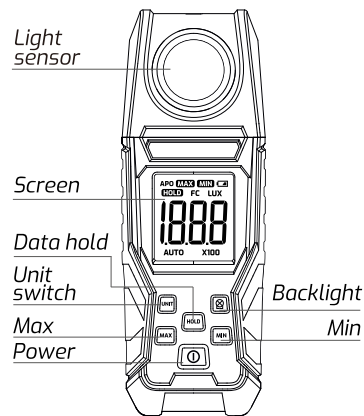
To prevent eye damage and personal injury, please read all safety information carefully before you use the product.

⚠ Warning

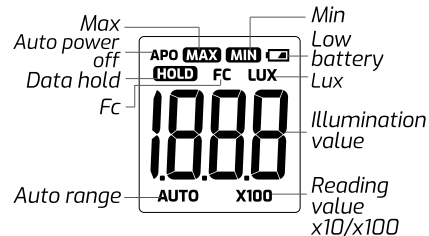
- Do not use this product in an environment with explosive gas, flammable vapor and dust;
- Please check the product before use. Do not use if the product is damaged;
- Replace the batteries when the " " symbol shows to prevent incorrect measurements;
- To prevent battery leakage, please remove the battery if the product is not used for an extended period of time, or if stored in temperatures above 50°C;
- Only authorized technicians are allowed to repair this product.

Product

Overview



Display

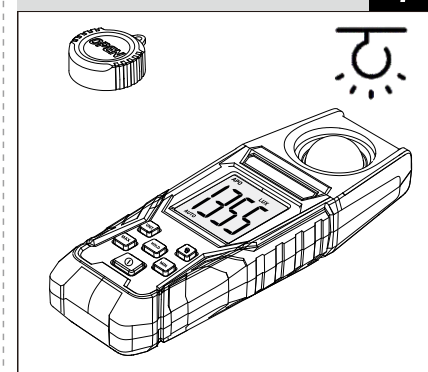


Technical Specifications

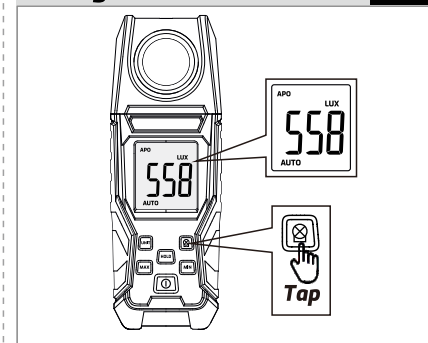
| | | |
|-------------------------|--|-------------------------------------|
| Model | TA630A | TA630B |
| Measurement method | Integral type | Split type |
| Range | 0.1 ~ 200000LUX / 0.01 ~ 20000Fc | |
| Measuring level | 200 / 2000 / 20000 / 200000Lux 20 / 200 / 2000 / 20000Fc | |
| Accuracy | ±(4%+10dgt) (calibrated under the standard incandescent lamp at color temperature 2856°K) | |
| Resolution | LUX<200: 0.1; LUX≥200: 1 FC<20: 0.01; 20≤FC<200: 0.1; FC≥200: 1 | |
| Display | 4 digits, max 1999 | |
| Light sensor | Silicon photodiode with filter | |
| Sampling rate | Approx. 2 times/s | |
| Incident angle | 120° | |
| Repeated test deviation | ±2% | |
| Spectral range | 400 ~ 700nm | |
| Working environment | -10 ~ 50°C, max 80%RH, indoor altitude<2000m | |
| Storage environment | -10 ~ 50°C, max 70%RH (battery removed) | |
| Length | — | Approx. 1m |
| Product size | 168x59x34mm | 130x59x34mm |
| Screen size | 34 x 31mm | |
| Weight | Approx. 150g (battery not included) | Approx. 165g (battery not included) |
| Power | 2 x 1.5V AAA (R03/LR03) | |

Operation

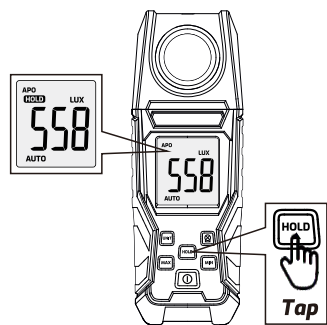
Illuminance Measurement 1



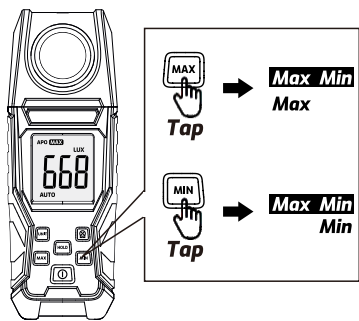
Backlight 2



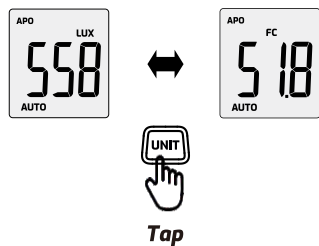
Data Hold 4



Max / Min 5

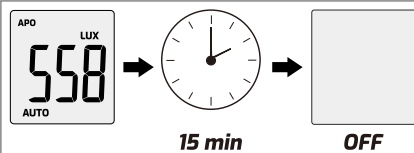


LUX / FC 6

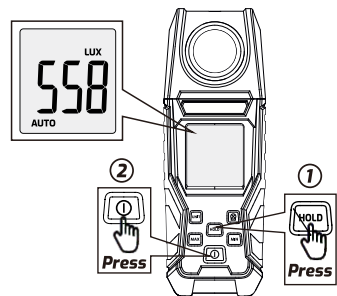


Note: 1FC=10.764LUX / 1LUX=0.09290FC

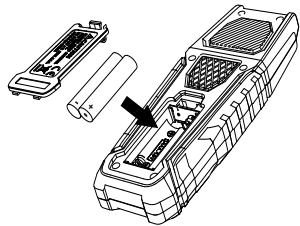
Auto Power Off 7



Disable Auto Power Off 8



Battery Replacement 9



Recommended Illumination in Different Locations

1FC=10.764LUX

| School | |
|-------------------|--|
| Illuminance (LUX) | Locations |
| 1500~300 | Laboratory, Computer room, Drafting room |
| 750~200 | Classroom, Conference room, Library |
| 300~150 | Hall, Rest room, Stairs, Big classroom |
| 150~75 | Corridor, Elevator, Toilet |
| 75~30 | Warehouse, Garage, Escape stairs |

Office Building

| Illuminance (LUX) | Locations |
|-------------------|--|
| 2000~1500 | Design house |
| 1500~750 | Hall channels(day), Punch, Typing |
| 750~300 | Office, Computer room, Meeting room |
| 300~150 | Stacks, Playroom, Lounge, Guard room, Toilet |
| 150~75 | Tea room, Dressing room |
| 75~30 | Escape stairs |

Home

| Illuminance (LUX) | Locations |
|-------------------|--|
| 2000~1500 | Handcraft, Tailor |
| 1000~750 | Writing, Homework |
| 750~300 | Reading, Makeup, Desk, Nursing, Phone |
| 300~150 | Laundry tray |
| 150~70 | Closet, Bedroom, Bathroom, Stairs, Hallway |
| 75~30 | Door plate, Mail box, Doorbell button, Balcony |

Factory

| Illuminance (LUX) | Locations |
|-------------------|---|
| 3000~1500 | Ultra precision machining and inspection, Drawing |
| 1500~750 | Design, Analysis, Assembly |
| 750~300 | Packaging, Surface work . |
| 300~150 | Dyeing, Casting, Electrical room . |
| 150~75 | Exit, Corridor, Channel, Stairs, Toilet |
| 75~30 | Warehouse, Garage, Escape stairs |

Hospital

| Illuminance (LUX) | Locations |
|-------------------|--|
| 10000~5000 | Special inspection |
| 1500~750 | Operating room |
| 750~300 | Anatomical room, Office, Conference room |
| 300~150 | Ward, Drug room, Corridor |
| 150~75 | Dressing room, X-ray room |
| 75~30 | Dark room(photos), Escape stairs |

Hotel Restaurant Club

| Illuminance (LUX) | Locations |
|-------------------|---|
| 1500~750 | The front desk |
| 750~300 | The banquet hall, Meeting room, Park, Kitchen |
| 300~150 | Dining-room, Toilet |
| 150~75 | Playroom, Stairs, Bathroom, Changing room |
| 75~30 | Warehouse |

Warranty:

Each product is warranted in material and workmanship under normal use. The warranty period is one year and begins on the date of purchase.

To obtain warranty service, please contact the dealer or manufacturer to obtain return authorization information, then send the product to the service center.

TASI



Product: DIGITAL LIGHT METER
Model: TA630A / B
Date: 15/08/2024

Suzhou TASI Electronics Co.,Ltd.
Add:5th Floor, Building 5, No. 317, Mudong Road, Wuzhong District, Suzhou City, Jiangsu Province, China.
Tel:+86-512-68057436
<http://www.china-tasi.com>

MADE IN CHINA