

Dear customer,
Thank you for choosing **TASI**.
If there are any technical questions, please
contact:
<http://www.china-tasi.com>


Introduction

TA636 series Light Meter is used to measure the brightness of visible light, and it can change the measuring range automatically ; It is suitable for storage, factories, hospitals, schools and other occasions.

Safety Information

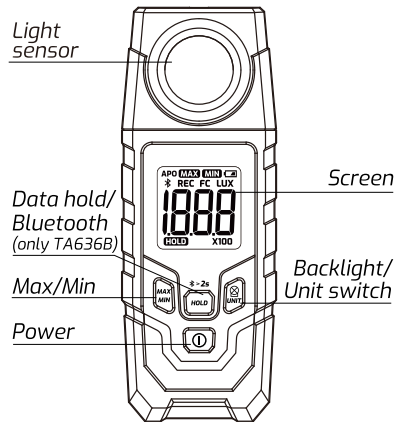
To prevent eye damage and personal injury, please read all safety information carefully before you use the product.

⚠ Warning

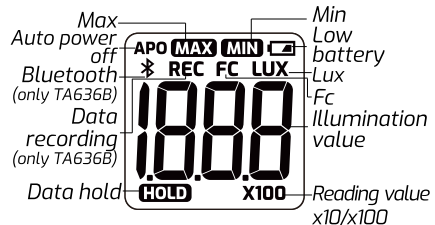
- Do not use this product in an environment with explosive gas, flammable vapor and dust;
- Please check the product before use. Do not use if the product is damaged;
- Replace the batteries when the "  " symbol shows to prevent incorrect measurements;
- To prevent battery leakage, please remove the battery if the product is not used for an extended period of time, or if stored in temperatures above 50°C;
- Only authorized technicians are allowed to repair this product.

Product

Overview



Display

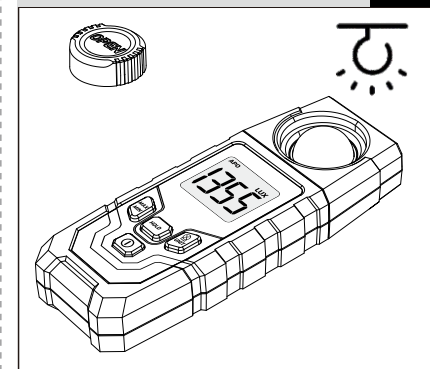


Technical Specifications

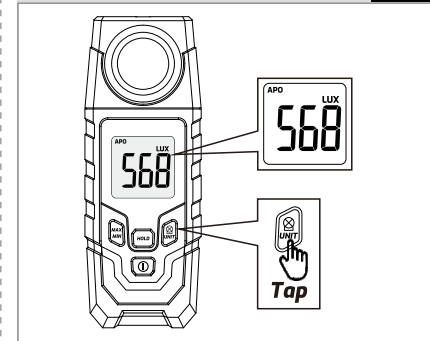
Model	TA636A	TA636B
Measurement method	Integral type	
Range	0.1 ~ 200000LUX / 0.01 ~ 20000Fc	
Measuring level	200 / 2000 / 20000 / 200000Lux 20 / 200 / 2000 / 20000Fc	
Accuracy	±(4%+10dgt) (calibrated under the standard incandescent lamp at color temperature 2856°K)	
Resolution	LUX<200: 0.1; LUX≥200: 1 FC<20: 0.01; 20≤FC<200: 0.1; FC≥200: 1	
Display	4 digits, max 1999	
Light sensor	Silicon photodiode with filter	
Sampling rate	Approx. 2 times/s	
Incident angle	120°	
Repeated test deviation	±2%	
Spectral range	400 ~ 700nm	
Bluetooth	-	✓
Bluetooth distance	-	10m
Working environment	-10 ~ 50°C, max 80%RH, indoor altitude<2000m	
Storage environment	-10 ~ 50°C, max 70%RH (battery removed)	
Product size	150 x 56 x 28mm	
Screen size	30 x 30mm	
Weight	Approx. 150g (battery not included)	
Power	2 x 1.5V AAA (R03/LR03)	

Operation

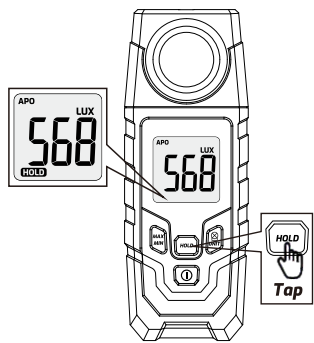
Illuminance Measurement 1



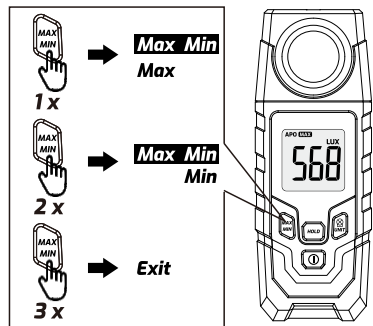
Backlight 2



Data Hold 4

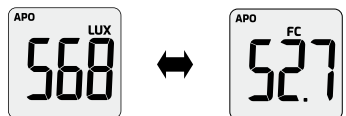


Max / Min 5



-5-

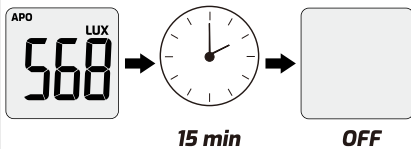
LUX / FC 6



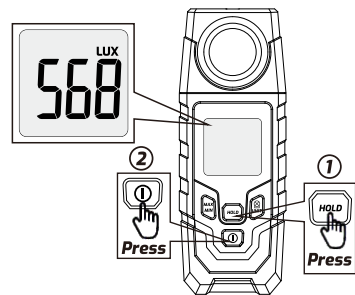
Press

Note: 1FC=10.764LUX / 1LUX=0.09290FC

Auto Power Off 7

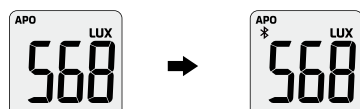


Disable Auto Power Off 8



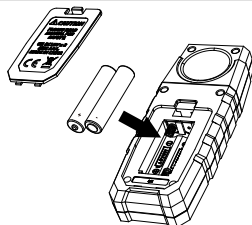
-6-

Bluetooth 9



Press

Battery Replacement 10



Recommended Illumination in Different Locations

1 fc=10.76 lux

School

Illuminance (LUX)	Locations
1500~300	Laboratory, Computer room, Drafting room
750~200	Classroom, Conference room, Library
300~150	Hall, Rest room, Stairs, Big classroom
150~75	Corridor, Elevator, Toilet
75~30	Warehouse, Garage, Escape stairs

-7-

Home

Illuminance (LUX)	Locations
2000~1500	Handcraft, Tailor
1000~750	Writing, Homework
750~300	Reading, Makeup, Desk, Nursing, Phone
300~150	Laundry tray
150~70	Closet, Bedroom, Bathroom, Stairs, Hallway
75~30	Door plate, Mail box, Doorbell button, Balcony

Factory

Illuminance (LUX)	Locations
3000~1500	Ultra precision machining and inspection, Drawing
1500~750	Design, Analysis, Assembly
750~300	Packaging, Surface work .
300~150	Dyeing, Casting, Electrical room .
150~75	Exit, Corridor, Channel, Stairs, Toilet
75~30	Warehouse, Garage, Escape stairs

Hospital

Illuminance (LUX)	Locations
10000~5000	Special inspection
1500~750	Operating room
750~300	Anatomical room, Office, Conference room
300~150	Ward, Drug room, Corridor
150~75	Dressing room, X-ray room
75~30	Dark room(photos), Escape stairs

-8-

Hotel Restaurant Club

Illuminance (LUX)	Locations
1500~750	The front desk
750~300	The banquet hall, Meeting room, Park, Kitchen
300~150	Dining-room, Toilet
150~75	Playroom, Stairs, Bathroom, Changing room
75~30	Warehouse

Warranty:

Each product is warranted in material and workmanship under normal use. The warranty period is one year and begins on the date of purchase.

To obtain warranty service, please contact the dealer or manufacturer to obtain return authorization information, then send the product to the service center.

TASI



Product: DIGITAL LIGHT METER
Model: TA636A/B
Date: 01/08/2024

Suzhou TASI Electronics Co.,Ltd.

Add:5th Floor, Building 5, No. 317, Mudong Road, Wuzhong District, Suzhou City, Jiangsu Province, China.
Tel:+86-512-68057436
<http://www.china-tasi.com>

MADE IN CHINA

-9-