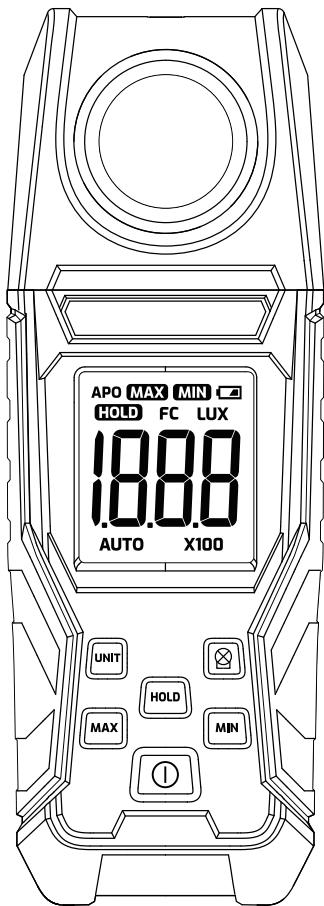


DIGITAL LIGHT METER

USER MANUAL




INTRODUCTION

Light Meter is used to measure the brightness of visible light, and it can change the measuring range automatically; It is suitable for storage, factories, hospitals, schools and other occasions.

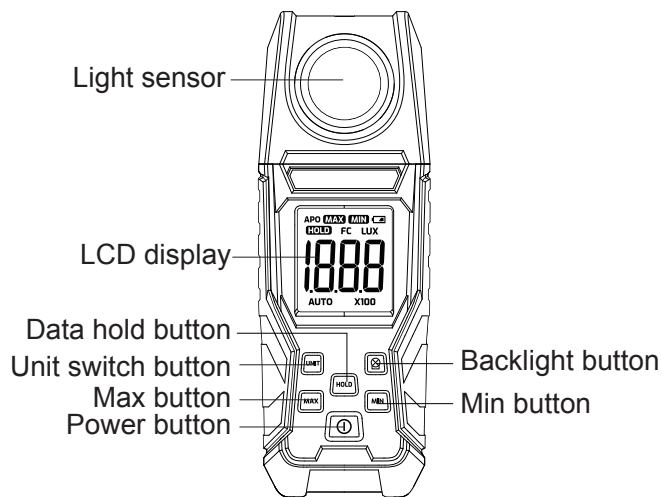
SAFETY INFORMATION

To prevent eye damage and personal injury, please read all safety information carefully before you use the product.

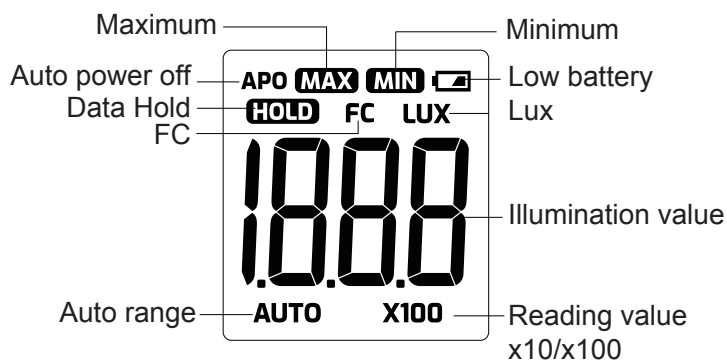
⚠ WARNING

- Do not use this product in an environment with explosive gas, flammable vapor and dust;
- Please check the product before use. Do not use if the product is damaged;
- Replace the batteries when the “” symbol shows to prevent incorrect measurements;
- To prevent battery leakage, please remove the battery if the product is not used for an extended period of time, or if stored in temperatures above 50°C;
- Only authorized technicians are allowed to repair this product.

PRODUCT OVERVIEW



DISPLAY



TECHNICAL SPECIFICATIONS

Measurement method	Integral type
Range	0.1 ~ 200000LUX / 0.01 ~ 20000FC
Measuring level	200 / 2000 / 20000 / 200000 lux 20 / 200 / 2000 / 20000 fc
Accuracy	±(4%+10dpts) (calibrated under the standard incandescent lamp at color temperature 2856°K)
Resolution	LUX<200: 0.1; LUX≥200: 1 FC<20: 0.01; 20≤FC<200: 0.1; FC≥200: 1
Display	4 digits, max 1999
Light sensor	Silicon photodiode with filter
Sampling rate	Approx. 2 times/s
Incident range	120°
Repeated test deviation	±2%
Spectral range	400 ~ 700nm
Working environment	-10~50°C, max 80%RH, indoor altitude<2000m
Storage environment	-10~50°C, max 70%RH (battery removed)
Product size	168 × 59 × 34 mm
Screen size	34 × 31 mm
Weight	Approx. 150g (battery not included)
Power	2 x 1.5V AAA (RO3/LRO3)

1 Turn on and off the meter

2 Disable Auto Power Off

Auto Power Off

Please note that the device is set to automatically power off by default.

In the OFF status, press and hold "HOLD" button, then simultaneously press "UNIT" button until the APO icon disappears. After that, release both buttons.

3 LUX / FC

4 Backlight

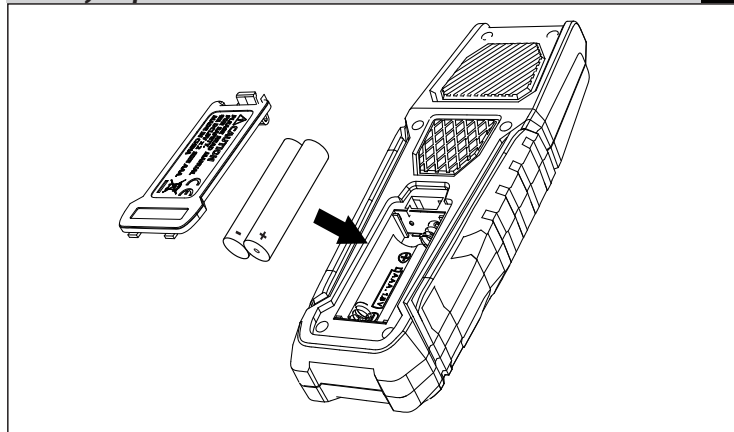
Note: 1FC=10.764LUX / 1LUX=0.09290FC

4

5 Data Hold

6 Max / Min

7 Battery Replacement



5

Recommended Illumination in Different Locations

1 fc=10.764 lux

School	
Illuminance (LUX)	Locations
1500~300	Laboratory, Computer room, Drafting room
750~200	Classroom, Conference room, Library
300~150	Hall, Rest room, Stairs, Big classroom
150~75	Corridor, Elevator, Toilet
75~30	Warehouse, Garage, Escape stairs

Office Building	
Illuminance (LUX)	Locations
2000~1500	Design house
1500~750	Hall channels(day), Punch, Typing
750~300	Office, Computer room, Meeting room
300~150	Stacks, Playroom, Lounge, Guard room, Toilet
150~75	Tea room, Dressing room
75~30	Escape stairs

Home	
Illuminance (LUX)	Locations
2000~750	Handcraft, Tailor
1000~750	Writing, Homework
750~300	Reading, Makeup, Desk, Nursing, Phone
300~150	Laundry tray
150~70	Closest, Bedroom, Bathroom, Stairs, Hallway
75~30	Door plate, Mail box, Doorbell button, Balcony

Factory	
Illuminance (LUX)	Locations
3000~1500	Ultra precision machining and inspection, Drawing
1500~750	Design, Analysis, Assembly
750~300	Packaging, Surface work
300~150	Dyeing, Casting, Electrical room
150~75	Exit, Corridor, Channel, Stairs, Toilet
75~30	Warehouse, Garage, Escape stairs

Hospital	
Illuminance (LUX)	Locations
10000~5000	Special inspection
1500~750	Operatingroom
750~300	Anatomical room, Office, Conference room
300~150	Ward, Drug room, Corridor Dressing room,
150~75	X-ray room
75~30	Dark room (photos), Escape stairs

Hotel Restaurant Club	
Illuminance (LUX)	Locations
1500~750	The front desk
750~300	The banquet hall, Meeting room, Park, Kitchen
300~150	Dining-room, Toilet
150~75	Playroom, Stairs, Bathroom, Changing room
75~30	Warehouse

WARRANTY
 Each product is warranted in material and workmanship under normal use. The warranty period is one year and begins on the date of purchase. To obtain warranty service, please contact the dealer or manufacturer to obtain return authorization information, then send the product to the service center.